



# WORLDWIDE ELECTRIC MOTOR DATA SHEET

## PEWWE60-18-364TC



HORSEPOWER	<b>60</b>		
RPM / POLES	<b>1800 / 4</b>		
VOLTAGE / PHASE	<b>230 / 460 V / 3</b>		
FRAME	<b>364TC</b>		
ENCLOSURE / DEGREE OF PROTECTION	<b>TEFC / IP55</b>		
FREQUENCY	<b>60 HZ Suitable For 50 HZ Operation With 1.0 SF</b>		
FULL LOAD SPEED	<b>1780 RPM</b>		
SERVICE FACTOR	<b>1.25</b>		
INSULATION CLASS	<b>F</b>		
FULL LOAD AMPS; 230 / 460	<b>142 / 71.2 A (Usable On 208V At 158 A)</b>		
LOCKED ROTOR AMPS (STARTING); 230 / 460	<b>870 / 435 A</b>		
NO LOAD CURRENT	<b>52 / 26 A</b>		
NEMA CODE LETTER	<b>G</b>		
EFFICIENCY / POWER FACTOR	<u>LOAD</u>	<u>EFF.</u>	<u>P.F.</u>
	<b>100 %</b>	<b>95.0%</b>	<b>0.83</b>
	<b>75 %</b>	<b>95.3%</b>	<b>0.80</b>
	<b>50 %</b>	<b>94.9%</b>	<b>0.71</b>
DUTY CYCLE	<b>S1 / Continuous</b>		
TORQUE	<u>FULL LOAD</u>	<u>LRT</u>	<u>BDT</u>
	<b>177 lb.ft.</b>	<b>190%</b>	<b>250%</b>
SLIP	<b>1.10 %</b>		
NEMA DESIGN	<b>B</b>		
MOMENT OF INERTIA	<b>14 lb.ft.<sup>2</sup></b>		
MAX. TIME LOCKED ROTOR (Hot)	<b>14 Seconds</b>		
SOUND PRESSURE LEVEL	<b>73 dB (A)</b>		
MAX. AMBIENT TEMPERATURE	<b>40° C</b>		
MAX. ELEVATION	<b>3300 Ft.</b>		
TEMPERATURE RISE (At Full Load)	<b>80° C</b>		
DE BEARING	<b>6313 C3</b>		
ODE BEARING	<b>6312 C3</b>		
REGREASING INT. - DE BEARING	<b>3000 Hours</b>		
REGREASING INT. - ODE BEARING	<b>4000 Hours</b>		
GREASE TYPE	<b>SKF LGHP 2</b>		
MOUNTING	<b>F1</b>		
ROTATION	<b>Bi-Directional</b>		
SHAFT MATERIAL	<b>1045 Carbon Steel</b>		
INVERTER RATING	<b>10:1 CT / 20:1 VT PWM Type</b>		
CONNECTION DIAGRAM	<b>230 / 460 V - 12 Lead Δ</b>		
AREA CLASSIFICATION	<b>Class I, Division 2, Groups A, B, C, D</b>		
APPROXIMATE WEIGHT	<b>769 lbs.</b>		



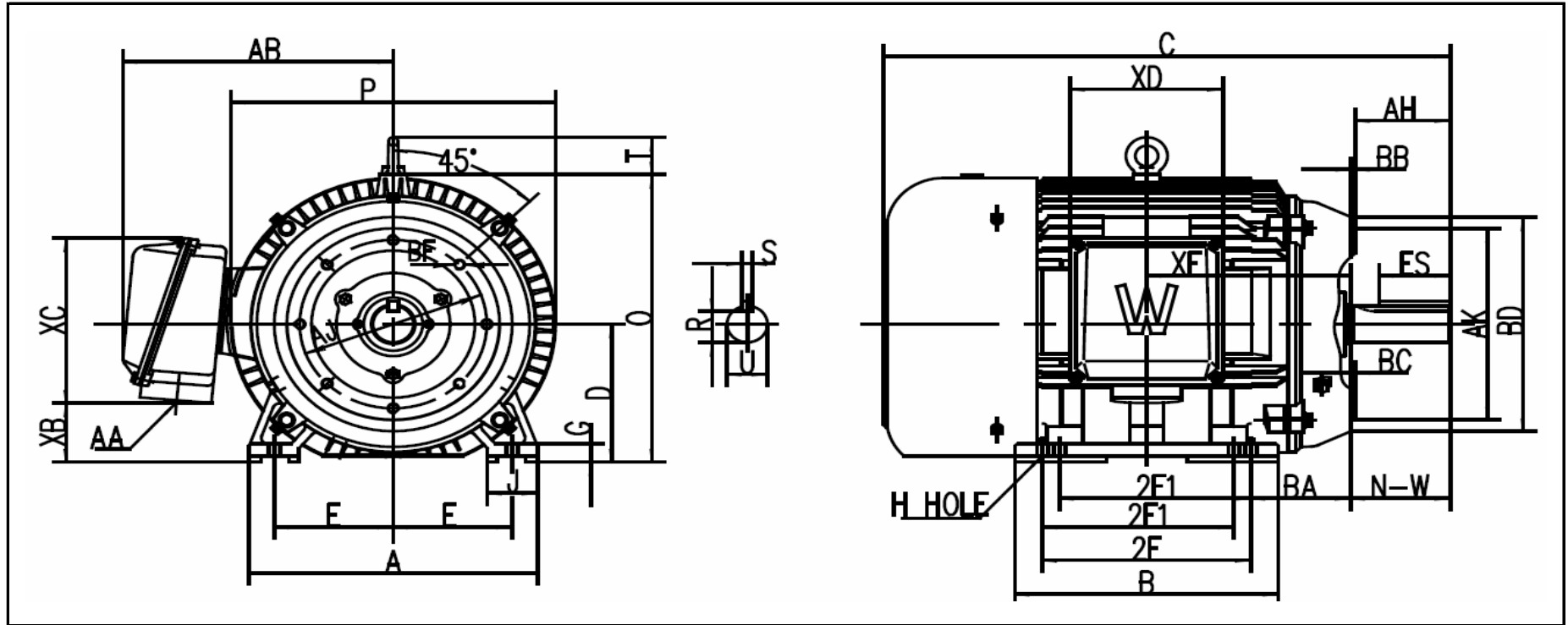
**CC006A**





# WORLDWIDE ELECTRIC MOTOR DRAWING

## PEWWE-364TC



DIMENSIONS - INCHES

MOUNTING					A	B	C	D	G	J	P	O	T	AB
E	2F1	2F2	H	BA										
7	-	11.25	0.66	5.88	18	15	32.6	9	1.18	3	19.1	18.8	2.44	16.5

KEY		KEYSET	FLANGE				SHAFT		TERMINAL BOX					
S	ES	R	AK	AJ	BF	BB	BD	N-W	U	AA	XB	XC	XD	XE
0.625	4.28	2.021	12.5	11	5/8 - 11	0.25	14	5.88	2.375	3	3.8	10.8	9	10.71

REVISED - 10/19/18

# PERFORMANCE CURVES

WorldWide Electric Corporation

1 (800) 808-2131

Worldwideelectric.net

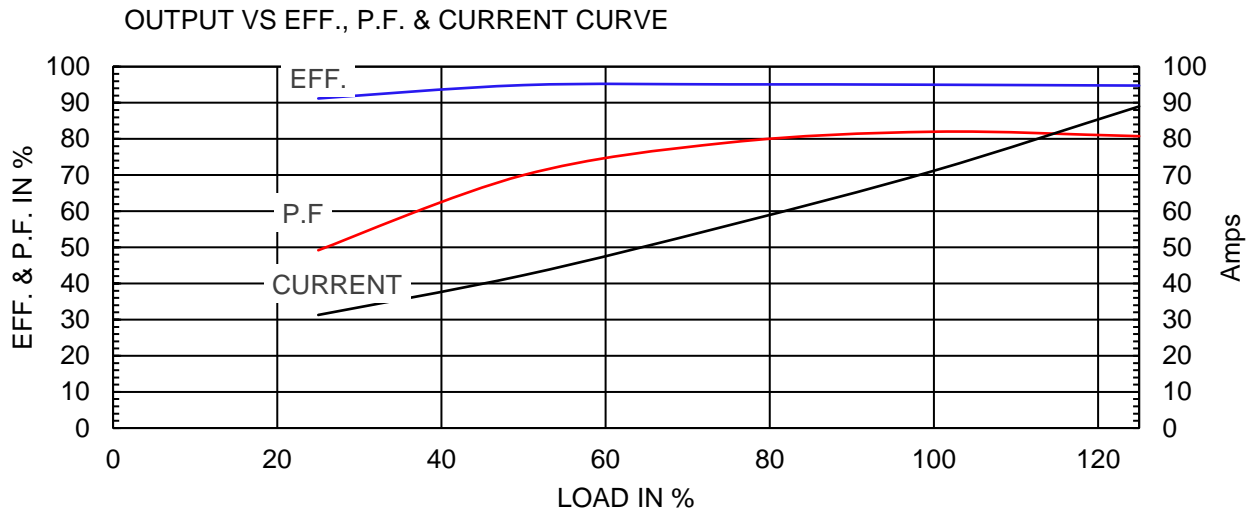
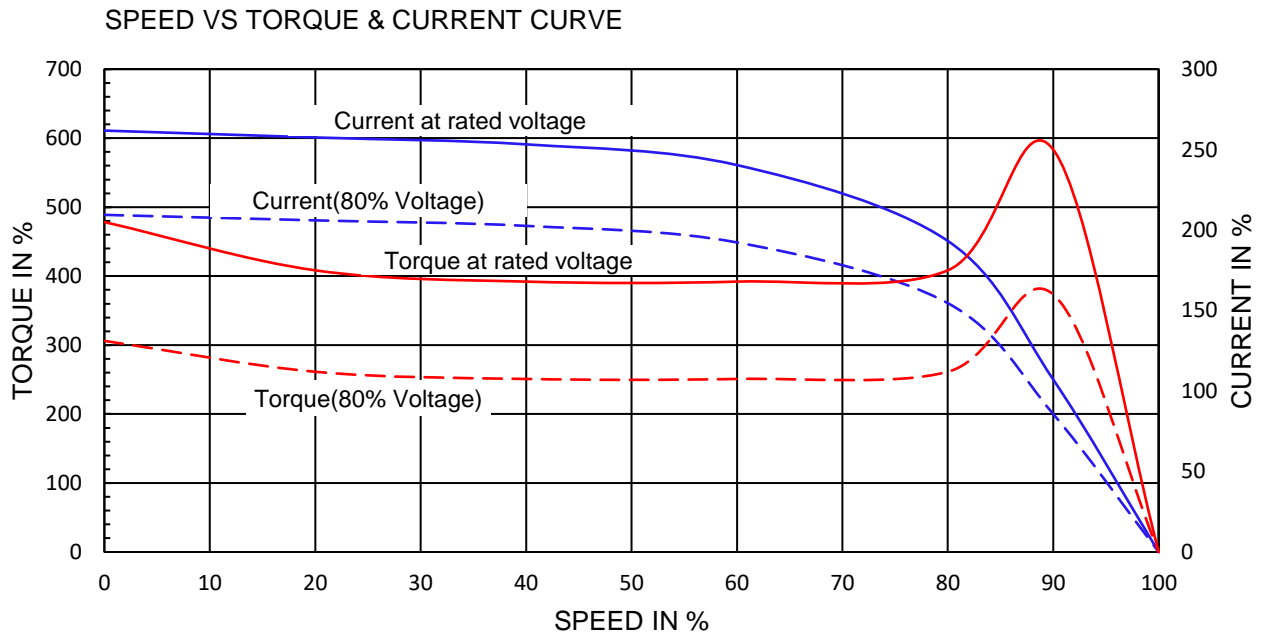


Premium Efficiency Motor:

**PEWWE60-18-364TC**

Document Generated: 25-Jun-2020	Customer:
Document ID:	

Motor Type	PEWWE		FL Speed	1780	
Output Rating (HP)	60		LRT (%FLT)	205	
Full Load Torque	177 lb.ft		460 volt FLA	71.2	
Rotor Wk^2	14.7 lb-ft^2		230 volt FLA	142A	
			BDT (%FLT)	250	



# NAMEPLATE / WIRING

WorldWide Electric Corporation

1 (800) 808-2131

Worldwideelectric.net



Premium Efficiency Motor: **PEWWE60-18-364TC**

Document Generated: 24-Sep-2019  
Document ID:

Customer:

## SAMPLE NAMEPLATE DATA

		<b>PREMIUM EFFICIENCY</b> <b>3-PHASE INDUCTION MOTOR</b>		CC006A ISO9001	259277 
Model	PEWWE60-18-364TC	Ser No.	ZP		
HP	60	S.F.	1.25	Type	Encl TEFC IP55
Frame	364TC	P.F.	0.82	Ins Cl	F Rating 40°C Amb Cont
Voltage	230/460	Hz	60Hz	Design	B DE Brng 6313 C3
Amps	142A / 71.2A	RPM	1780	Code	G ODE Brng 6312 C3
Nom.Eff.	FL 95.0 %	3/4 95.1 %	230/460 V		Date
Usable on 208V network at 159 Amps 1.0SF		Class I DIV. 2 Groups A B C D		Amb.40°C	T3A(180°C)
10:1 CT 20:1 VT PWM VFD 1.0SF		Class I Zone 2 IIC		Amb.55°C	T3(200°C)
50Hz 60 HP 200/400V V 167 / 83. A 1480 rpm 1.0SF					
<b>WorldWide Electric Corporation</b>					

**Low Voltage**

6	4	5
7	8	9
12	10	11
1	2	3
L1	L2	L3

**High Voltage**

4	5	6
7	8	9
12	10	11
1	2	3
L1	L2	L3

